

✓ POS SOLUTIONS
S-500



Laser Scanner



Photos for illustrative purposes only.



FEATURES

- > Powerful Scanning Performance
- > Rugged Design
- > Flexible communication interfaces
- > Advanced Laser Technology
- > High performance and competitive price
- > Can be operated in trigger or on the stand

APPLICATIONS

- > Retail automation
- > Warehouse automation

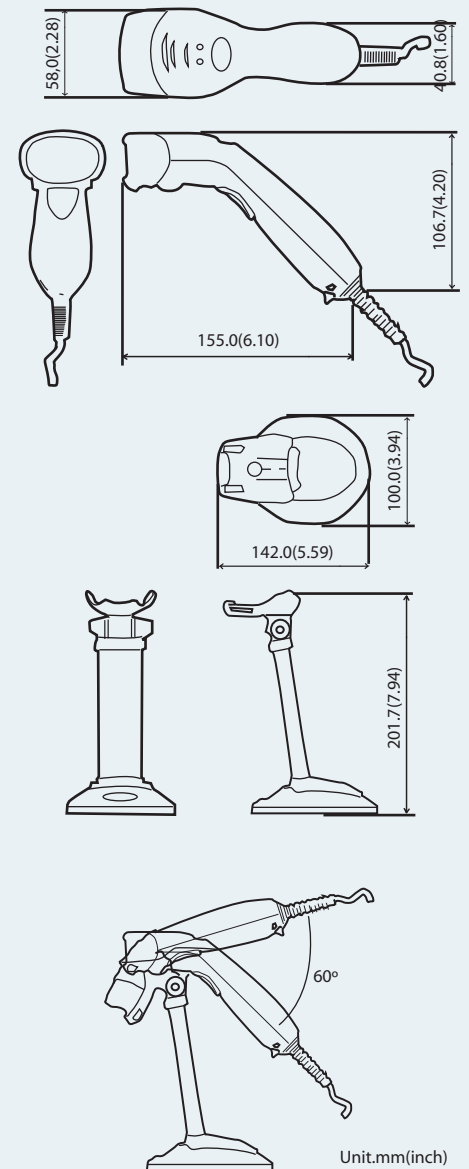


Fast reading capacity of 500 scans per second. The S-500 reads the most available 1D barcodes. High performance and efficiency in the same compact, fast and robust scanner. Also its rugged trigger is designed for an intensive use. The light indicators and buzzer available are totally configurable according to the user's preferences.

SPECIFICATIONS

Operational	
Light Source	650nm visible laser diode
Depth of Field	35-200 mm for UPC/EAN 100%
Scan Angle	52°
Scan Rate	500 scans per second
Pitch/Roll/Skew Angle	65° / 30° / 65°
Minimum Bar Width	5 mil @ PCS 90%, Code 39
Print Contrast	30% @ UPC/EAN 100%
Indicators (LED)	Three-color LED (green, red & blue)
Beeper Operation	Three-color LED (green, red & blue)
System Interfaces	Programmable tone and beep time
Physical	
Height	106.7 mm
Depth	155.0 mm
Width	58.0 mm
Weight	148g (stand excluded)
Cable	Standard 2m straight
Power	
Input Voltage	5VDC + 10%
Power Consumption	1.0 watts
Operating Current	200 mA
Regulatory	
Laser Class	CDRH Class IIa; IEC 60825-1 : Class 1
EMC	CE & FCC DOC compliance
Environmental	
Operating Temperature	0°C - 40°C (32°F - 104°F)
Storage Temperature	-20°C - 60°C (-4°F - 104°F)
Humidity	5% - 95% RH (non-condensing)
Ambient Light Injection	4500 Lux (fluorescence); 100000 Lux (sunlight)
Shock	Designed to withstand 1m drops
Decoding Capability	
1D Barcodes	UPC/EAN/JAN, UPC/EAN with supplementary, JAN 8 & JAN 13, ISBN/ISSN, Japanese Bookland EAN, Code 39, Code 39 with full ASCII, trioptic Code 39, Codabar (NM7), Code 128, Code 128 with full ASCII, Code 93, Interleaved 2 of 5 (ITF), Addendum 2 of 5, IATA Code, MSI/Plessey, China Postal Code, Code 32
Options	Industrial 2 of 5, Standard 2 of 5, Discrete 2 of 5, Matrix 2 of 5, Code 11, UPC/EAN RSS, RSS ariants
Programmig	
Programming Method	(a) Barcode manual; (b) RS-232 Command via RS-232; Programming Method (c) Windows AP Configuration
Firmware Update	By flash memory

DIMENSION



Photos for illustrative purposes only.

